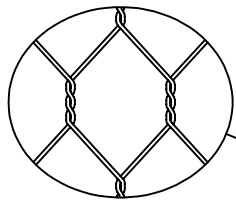
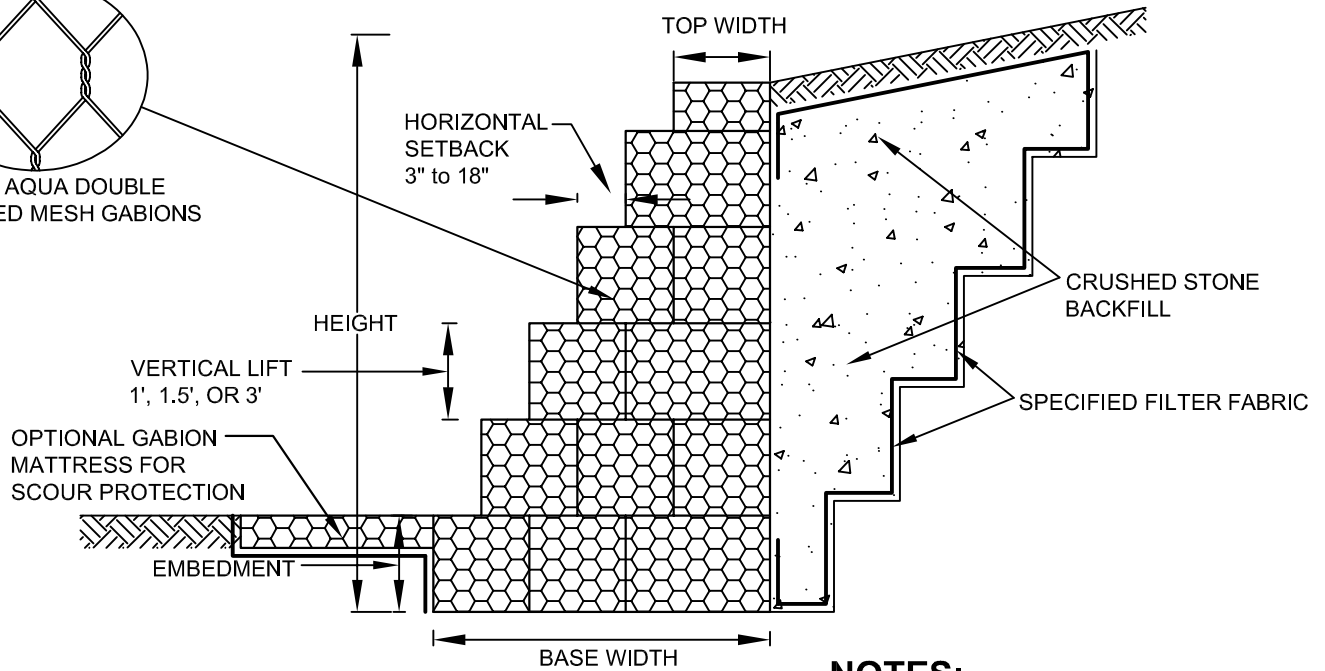


REVISIONS				
ZONE	REV	DESCRIPTION	DATE	APPROVED



TERRA AQUA DOUBLE TWISTED MESH GABIONS



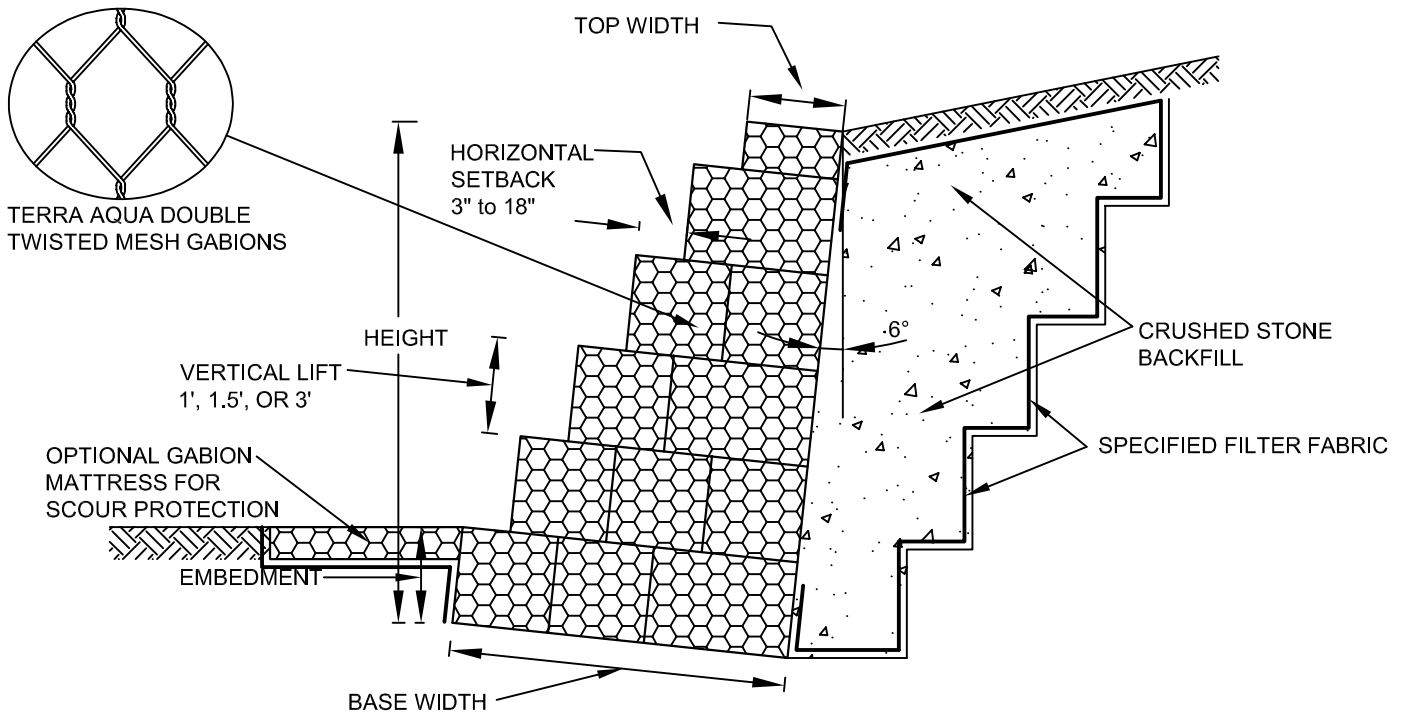
NOTES:

1. Crushed stone backfill reduce hydrostatic pressure differential during rapid drawdown.

SECTION

	SD # GW 1 - GRAVITY WALL (VERTICAL) (FREE DRAINING BACKFILL)			
	TERRA AQUA GABIONS 1415 N 32nd, Fort Smith, AR 72904. Phone: 800-736-9089 fax; 479-785-0633			
	SIZE	FSCM NO.	DWG NO.	REV
			TAGGW1	
	SCALE	DRAWN BY: T.YU CHECKED BY: COLIN GLASS		SHEET 1 of 14

REVISIONS				
ZONE	REV	DESCRIPTION	DATE	APPROVED



SECTION

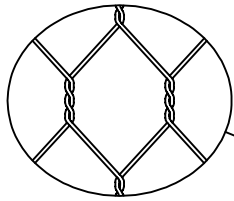
NOTES:

- Crushed stone backfill reduce hydrostatic pressure differential during rapid drawdown.

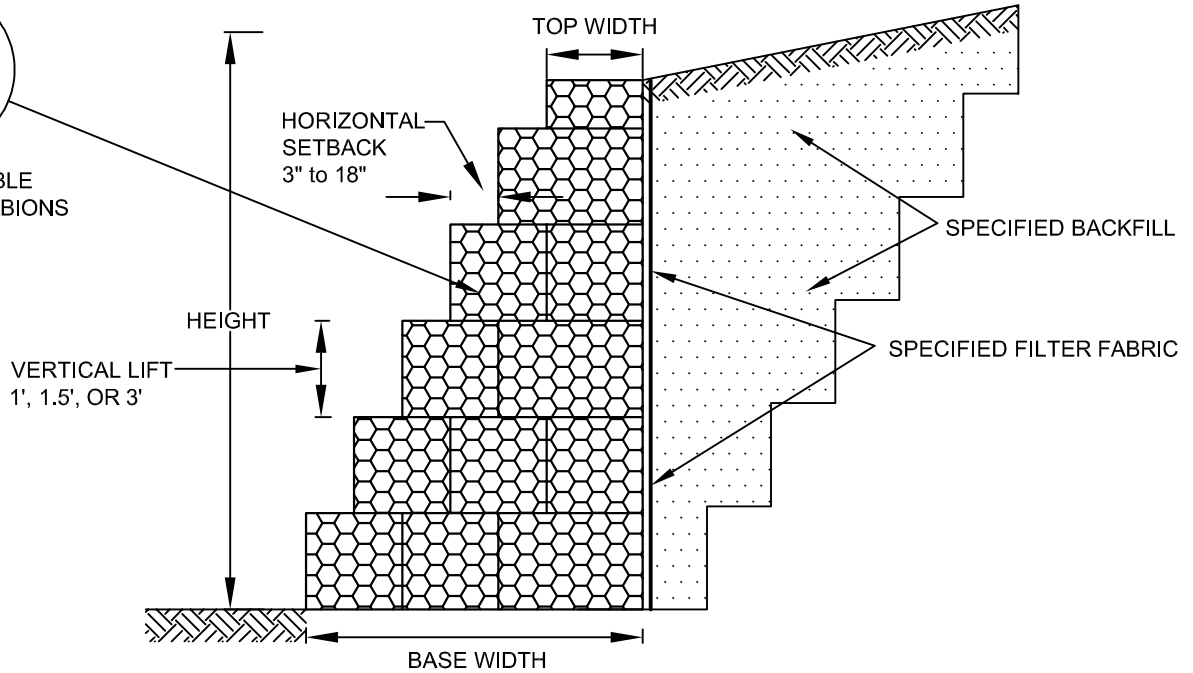
		SD # GW 2 - GRAVITY WALL (INCLINED) (FREE DRAINING BACKFILL)		
		TERRA AQUA GABIONS 1415 N 32nd, Fort Smith, AR 72904. Phone: 800-736-9089 fax; 479-785-0633		
		SIZE	FSCM NO.	DWG NO. TAGGW2
		SCALE	DRAWN BY: T.YU CHECKED BY: COLIN GLASS	REV
				SHEET 2 of 14

REVISIONS

ZONE	REV	DESCRIPTION	DATE	APPROVED
------	-----	-------------	------	----------



TERRA AQUA DOUBLE TWISTED MESH GABIONS

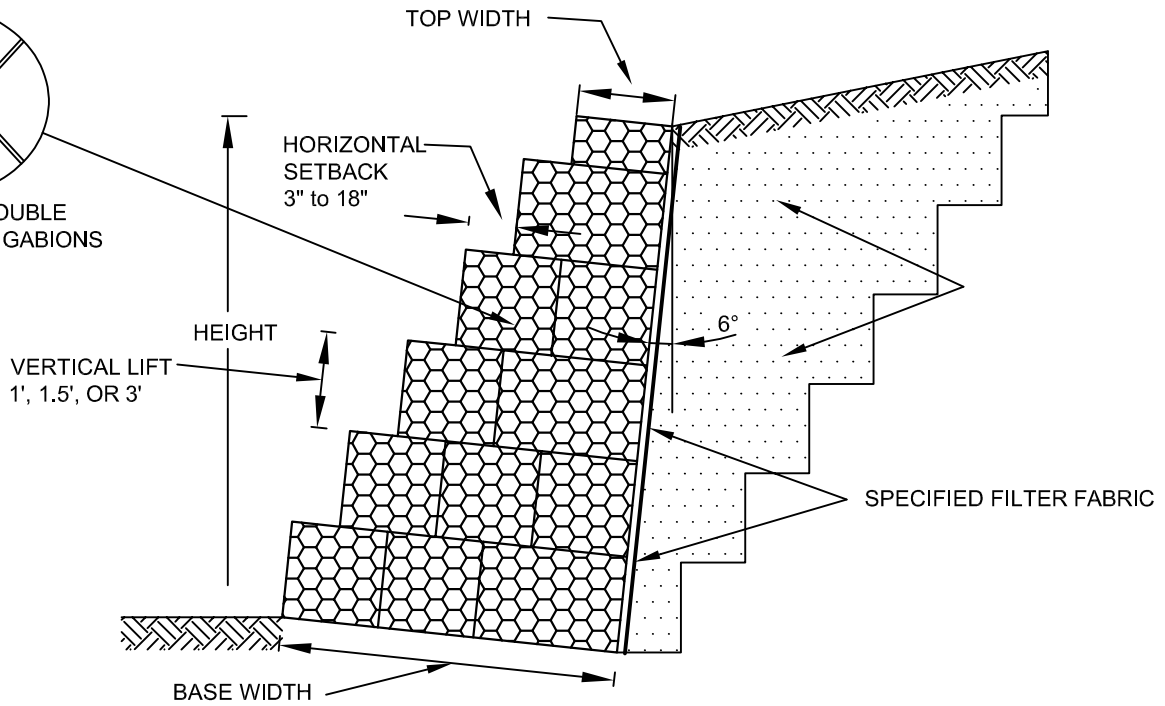
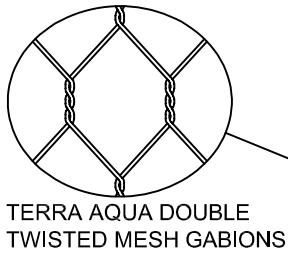


SECTION

		SD # GW 3 - GRAVITY WALL (VERTICAL) (SPECIFIED BACKFILL)		
		TERRA AQUA GABIONS 1415 N 32nd, Fort Smith, AR 72904. Phone: 800-736-9089 fax; 479-785-0633		
	SIZE	FSCM NO.	DWG NO. TAGGW3	REV
	SCALE		DRAWN BY: T.YU CHECKED BY: COLIN GLASS	SHEET 3 of 14

REVISIONS

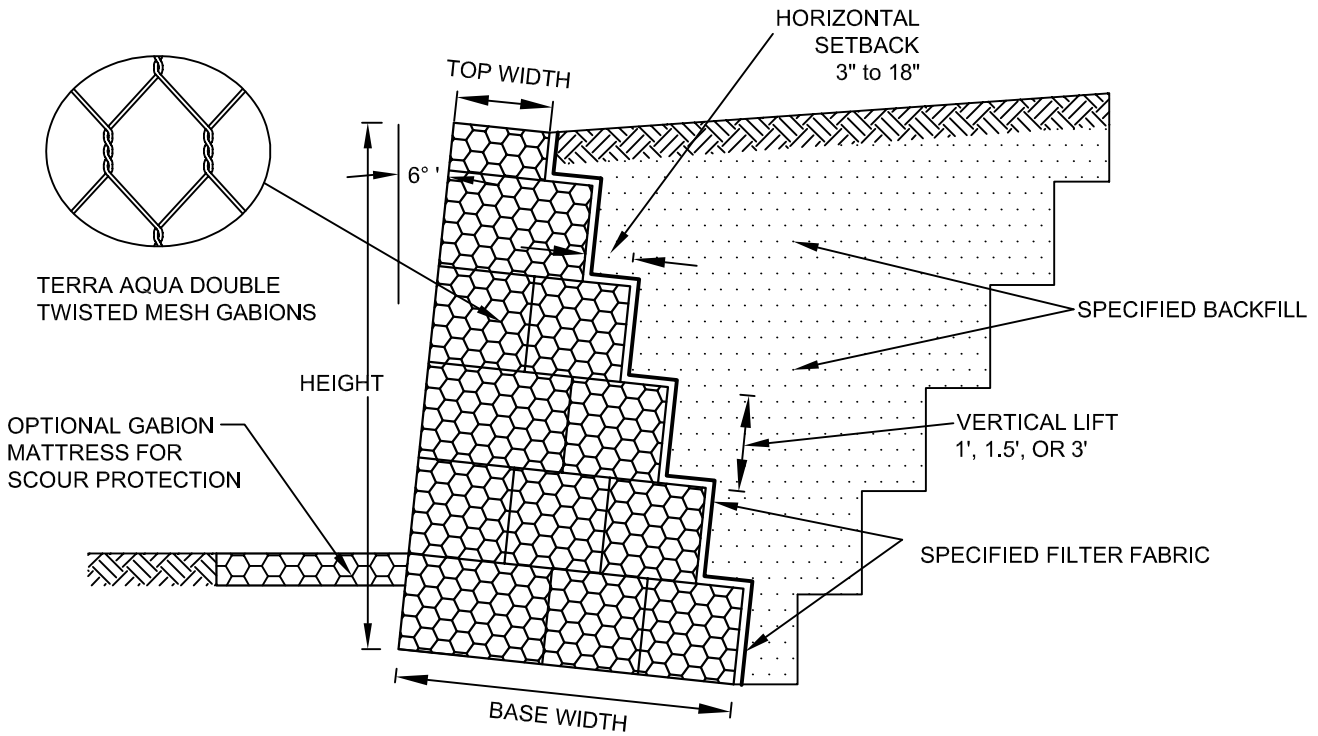
ZONE	REV	DESCRIPTION	DATE	APPROVED
------	-----	-------------	------	----------



SECTION

		SD # GW 4 - GRAVITY WALL (INCLINED) (SPECIFIED BACKFILL)		
		TERRA AQUA GABIONS 1415 N 32nd, Fort Smith, AR 72904. Phone: 800-736-9089 fax; 479-785-0633		
	SIZE	FSCM NO.	DWG NO. TAGGW4	REV
	SCALE	DRAWN BY: T.YU CHECKED BY: COLIN GLASS		SHEET 4 of 14

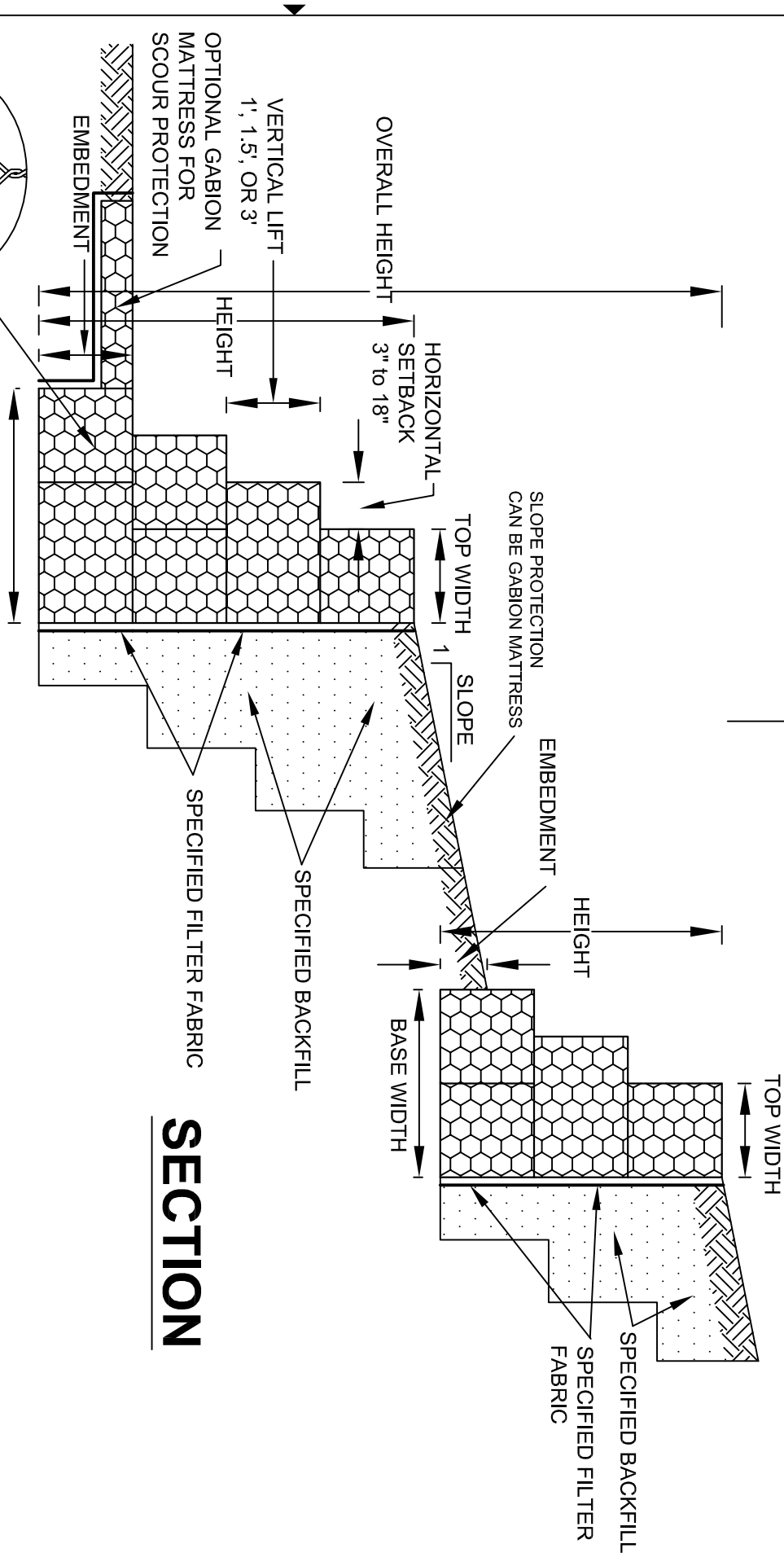
REVISIONS				
ZONE	REV	DESCRIPTION	DATE	APPROVED



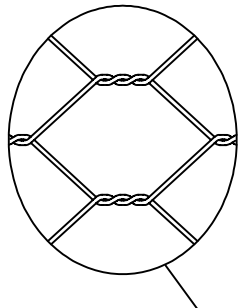
SECTION

	SD # GW 5 - GRAVITY WALL (STEPPED BACK)			
	TERRA AQUA GABIONS 1415 N 32nd, Fort Smith, AR 72904. Phone: 800-736-9089 fax; 479-785-0633			
	SIZE	FSCM NO.	DWG NO.	REV
			TAGGW5	
	SCALE	DRAWN BY: T.YU CHECKED BY: COLIN GLASS		SHEET 5 of 14

REVISIONS				
ZONE	REV	DESCRIPTION	DATE	APPROVED



SECTION

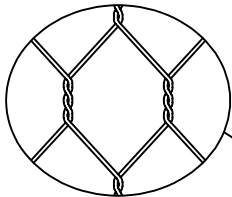


TERRA AQUA DOUBLE
TWISTED MESH GABIONS

SD # GW 6 - GRAVITY WALL (TIERED)	
TERRA AQUA GABIONS 1415 N 32nd, Fort Smith, AR 72904. Phone: 800-736-9089 fax: 479-785-0633	
SIZE	FSCM NO.
SCALE	DWG NO.
DRAWN BY: T.YU CHECKED BY: COLIN GLASS	REV

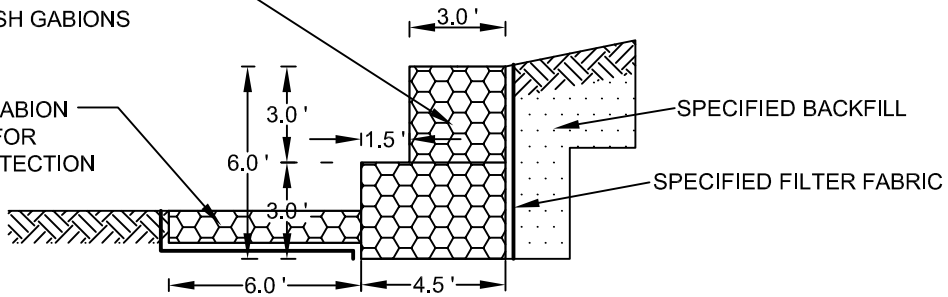
REVISIONS

ZONE	REV	DESCRIPTION	DATE	APPROVED
------	-----	-------------	------	----------



TERRA AQUA DOUBLE TWISTED MESH GABIONS

OPTIONAL GABION MATTRESS FOR SCOUR PROTECTION

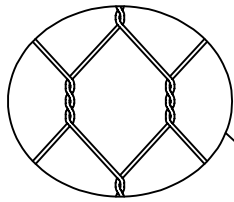


SECTION

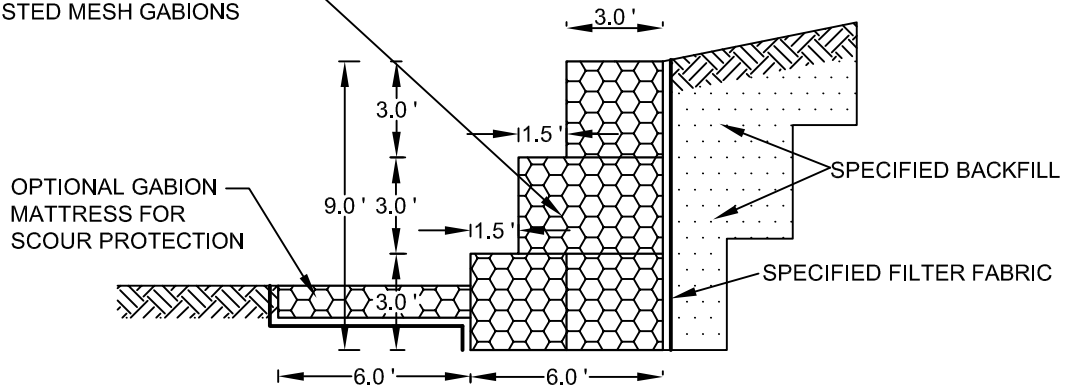
	SD # GW 7A - 6' GRAVITY WALL			
	TERRA AQUA GABIONS 1415 N 32nd, Fort Smith, AR 72904. Phone: 800-736-9089 fax; 479-785-0633			
	SIZE	FSCM NO.	DWG NO. TAGGW7A	REV
	SCALE		DRAWN BY: T.YU CHECKED BY: COLIN GLASS	SHEET 7 of 14

REVISIONS

ZONE	REV	DESCRIPTION	DATE	APPROVED
------	-----	-------------	------	----------



TERRA AQUA DOUBLE TWISTED MESH GABIONS

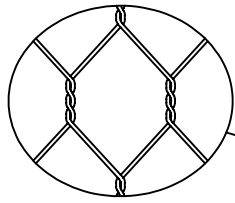


SECTION

		SD # GW 7B - 9' GRAVITY WALL		
		TERRA AQUA GABIONS 1415 N 32nd, Fort Smith, AR 72904. Phone: 800-736-9089 fax; 479-785-0633		
	SIZE	FSCM NO.	DWG NO. TAGGW7B	REV
	SCALE	DRAWN BY: T.YU CHECKED BY: COLIN GLASS	SHEET 8 of 14	

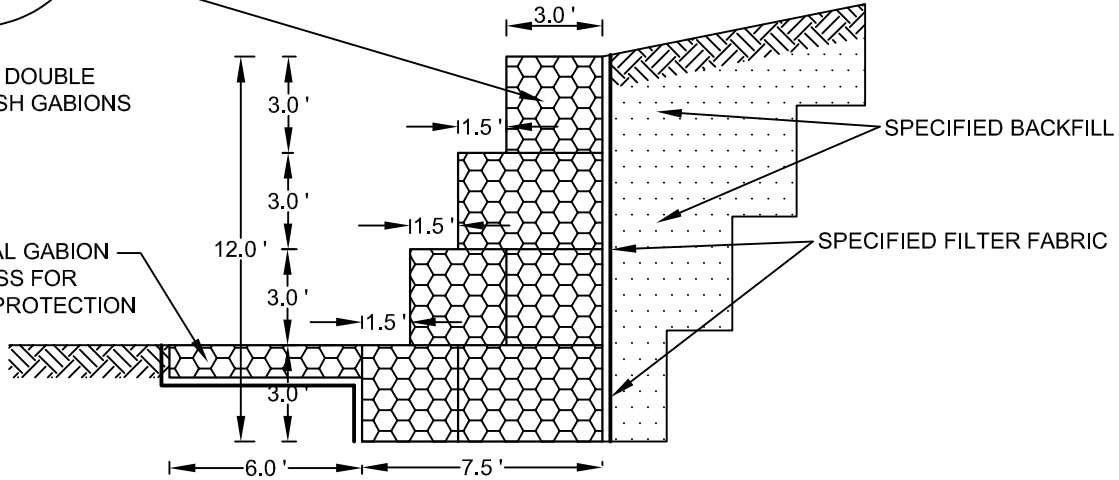
REVISIONS

ZONE	REV	DESCRIPTION	DATE	APPROVED
------	-----	-------------	------	----------



TERRA AQUA DOUBLE TWISTED MESH GABIONS

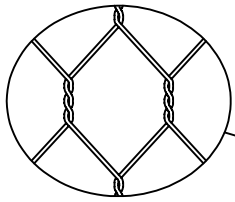
OPTIONAL GABION MATTRESS FOR SCOUR PROTECTION



SECTION

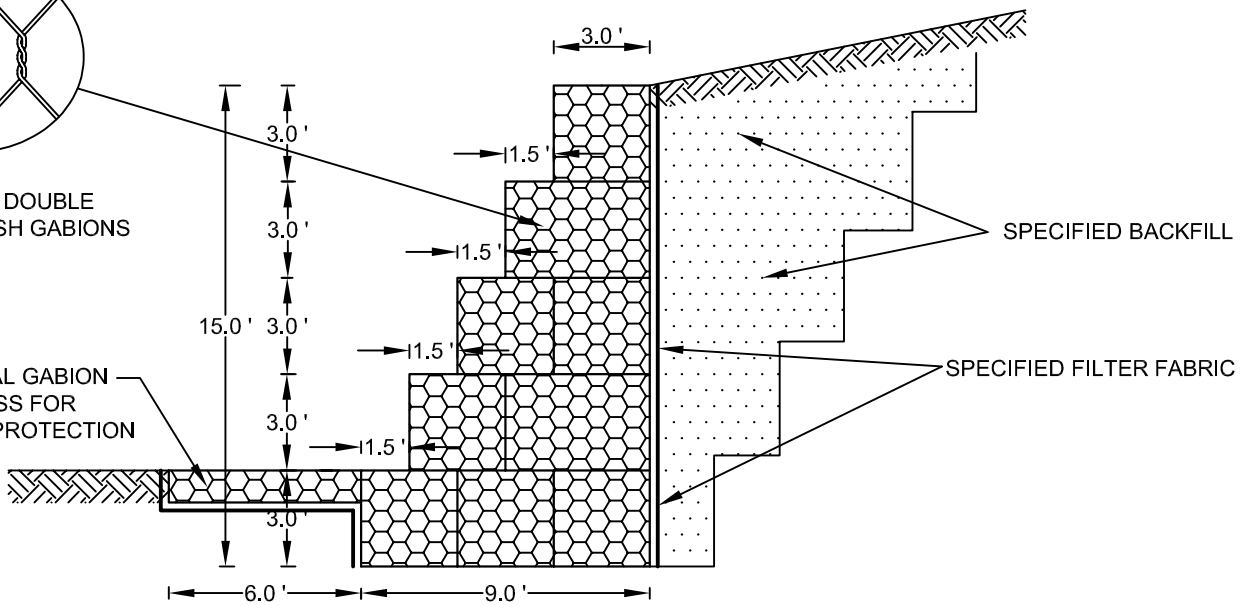
		SD # GW 7C - 12' GRAVITY WALL		
		TERRA AQUA GABIONS 1415 N 32nd, Fort Smith, AR 72904. Phone: 800-736-9089 fax; 479-785-0633		
	SIZE	FSCM NO.	DWG NO. TAGGW7C	REV
	SCALE	DRAWN BY: T.YU CHECKED BY: COLIN GLASS		SHEET 9 of 14

REVISIONS				
ZONE	REV	DESCRIPTION	DATE	APPROVED



TERRA AQUA DOUBLE TWISTED MESH GABIONS

OPTIONAL GABION MATTRESS FOR SCOUR PROTECTION

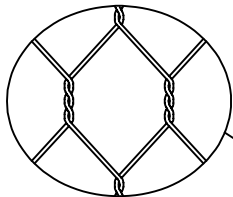


SECTION

		SD # GW 7D - 15' GRAVITY WALL		
		TERRA AQUA GABIONS 1415 N 32nd, Fort Smith, AR 72904. Phone: 800-736-9089 fax; 479-785-0633		
		SIZE	FSCM NO.	DWG NO. TAGGW7D
		SCALE	DRAWN BY: T.YU CHECKED BY: COLIN GLASS	REV
			SHEET 10 of 14	

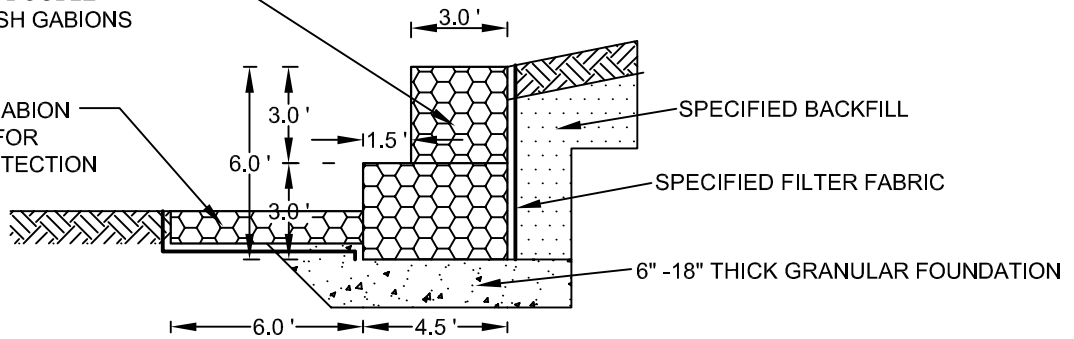
REVISIONS

ZONE	REV	DESCRIPTION	DATE	APPROVED
------	-----	-------------	------	----------



TERRA AQUA DOUBLE TWISTED MESH GABIONS

OPTIONAL GABION MATTRESS FOR SCOUR PROTECTION



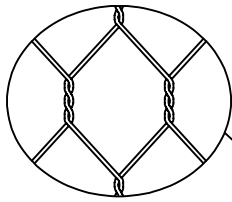
SECTION

SD # GW 8A - 6' GRAVITY WALL WITH GRANULAR FOUNDATION

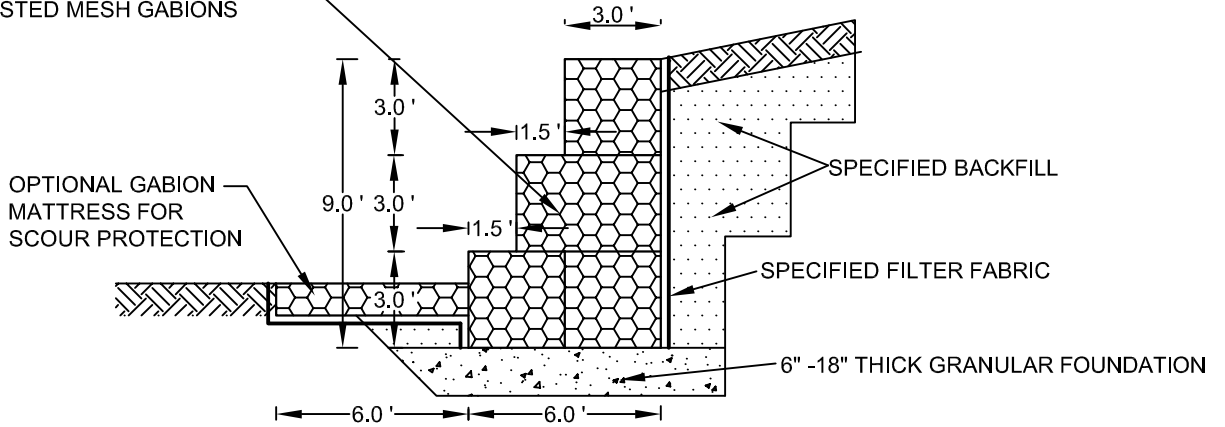
		SD # GW 8A - 6' GRAVITY WALL WITH GRANULAR FOUNDATION		
		TERRA AQUA GABIONS 1415 N 32nd, Fort Smith, AR 72904. Phone: 800-736-9089 fax; 479-785-0633		
	SIZE	FSCM NO.	DWG NO. TAGGW8A	REV
	SCALE	DRAWN BY: T.YU CHECKED BY: COLIN GLASS	SHEET 11 of 14	

REVISIONS

ZONE	REV	DESCRIPTION	DATE	APPROVED
------	-----	-------------	------	----------



TERRA AQUA DOUBLE TWISTED MESH GABIONS

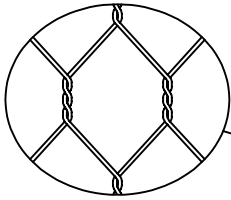


SECTION

		SD # GW 8B - 9' GRAVITY WALL WITH GRANULAR FOUNDATION		
		TERRA AQUA GABIONS 1415 N 32nd, Fort Smith, AR 72904. Phone: 800-736-9089 fax; 479-785-0633		
	SIZE	FSCM NO.	DWG NO. TAGGW8B	REV
	SCALE		DRAWN BY: T.YU CHECKED BY: COLIN GLASS	SHEET 12 of 14

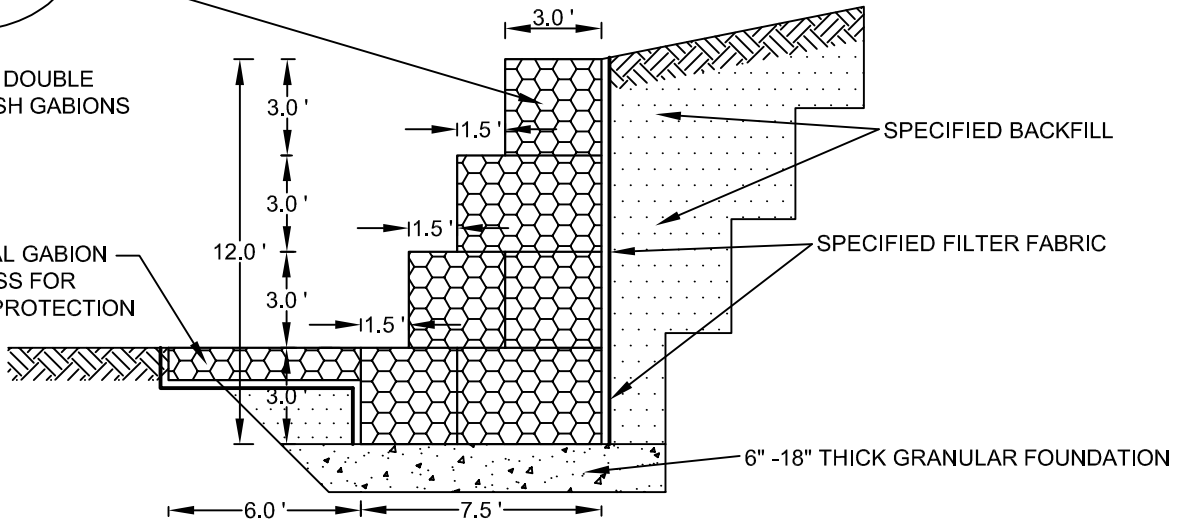
REVISIONS

ZONE	REV	DESCRIPTION	DATE	APPROVED
------	-----	-------------	------	----------



TERRA AQUA DOUBLE TWISTED MESH GABIONS

OPTIONAL GABION MATTRESS FOR SCOUR PROTECTION



SECTION

SD # GW 8C - 12' GRAVITY WALL WITH GRANULAR FOUNDATION

TERRA AQUA GABIONS

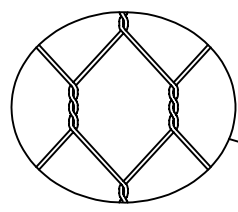
1415 N 32nd, Fort Smith, AR 72904.

Phone: 800-736-9089 fax; 479-785-0633

SIZE	FSCM NO.	DWG NO. TAGGW8C	REV
------	----------	-----------------	-----

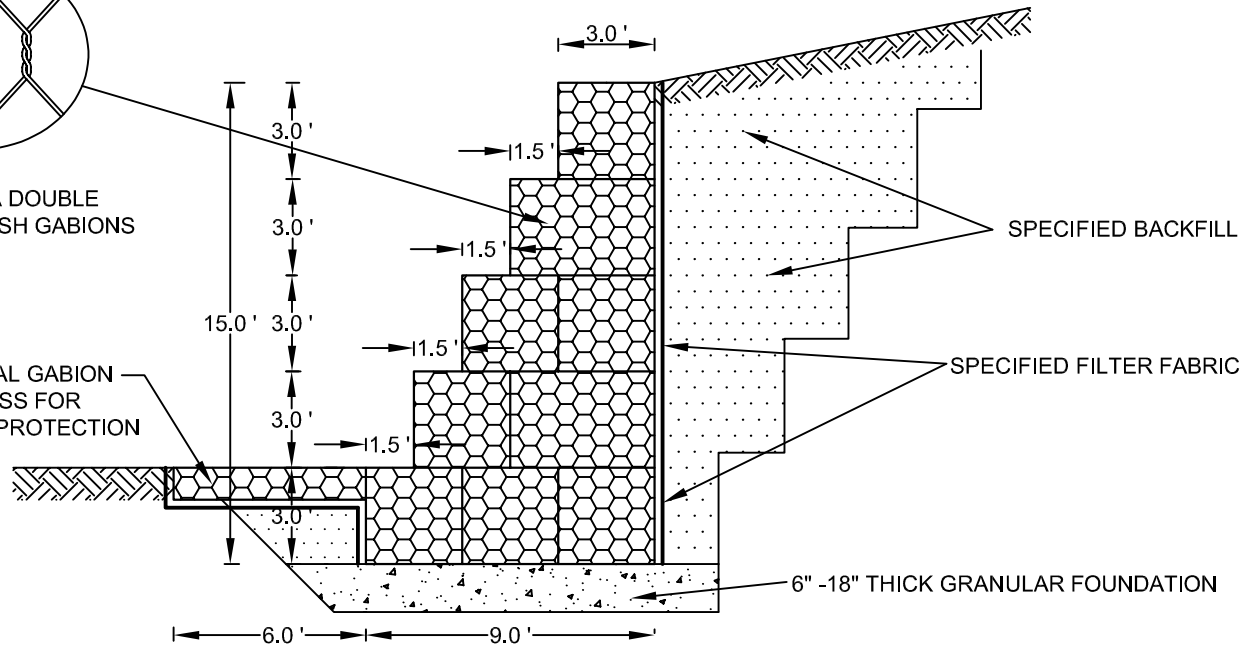
SCALE	DRAWN BY: T.YU CHECKED BY: COLIN GLASS	SHEET 13 of 14
-------	---	----------------

REVISIONS				
ZONE	REV	DESCRIPTION	DATE	APPROVED



TERRA AQUA DOUBLE TWISTED MESH GABIONS

OPTIONAL GABION MATTRESS FOR SCOUR PROTECTION



SECTION

		SD # GW 8D - 15' GRAVITY WALL WITH GRANULAR FOUNDATION			
		TERRA AQUA GABIONS 1415 N 32nd, Fort Smith, AR 72904. Phone: 800-736-9089 fax; 479-785-0633			
		SIZE	FSCM NO.	DWG NO. TAGGW8D	REV
		SCALE	DRAWN BY: T.YU CHECKED BY: COLIN GLASS	SHEET 14 of 14	